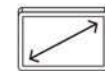
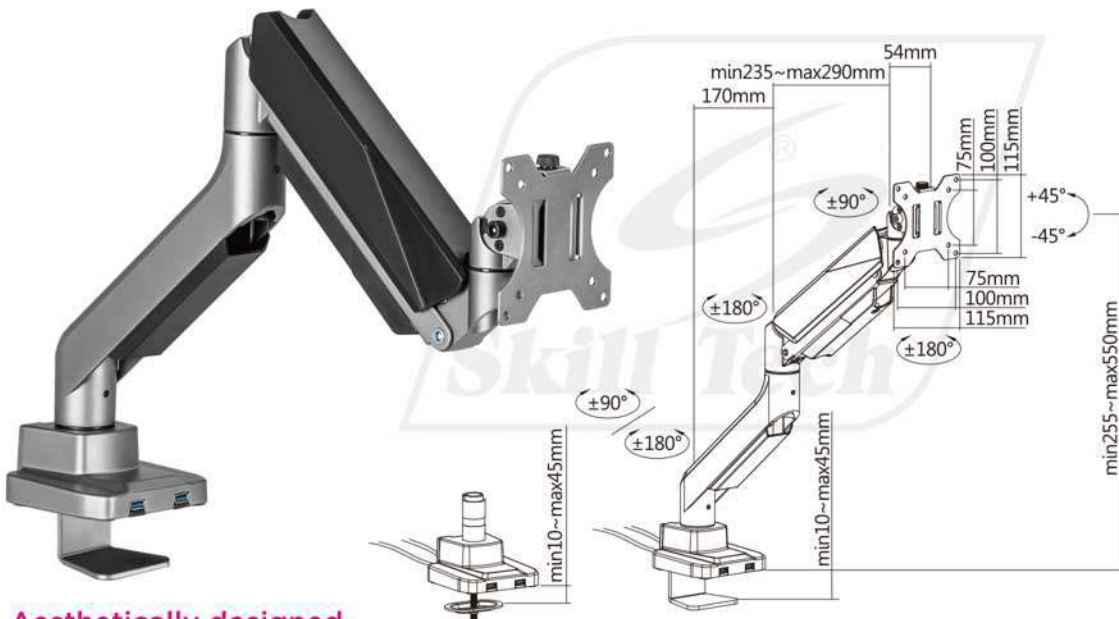


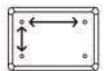
SH52 C012U

Heavy-Duty Monitor Arm

Fits most 17"-35" flat & curved Monitors



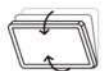
Screen Size
17"-35"



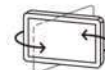
VESA Compatible
75x75 100x100



Weight Capacity
1-15kg/2.2-33lbs



Tilt Range
+45° - -45°



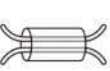
Swivel Range
+90° - -90°



Screen Rotation
+180° - -180°



Detachable
VESA Plate



Cable
Management



Curved Monitor



Clamp & Grommet
Installation

Aesthetically designed
with functionality and ease



Quick-Release VESA Plate
mount or remove the monitor
in mere seconds.



Cable Management
keeps everything organized.



Rear Tool Holder
easy access for any future adjustment.